

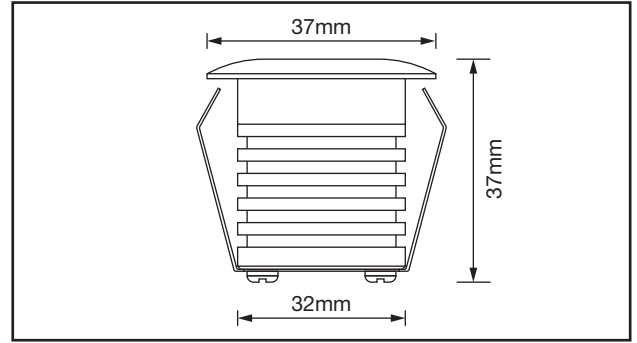
AMKR032

1W LED 350mA IP65 Marker Light

midi™

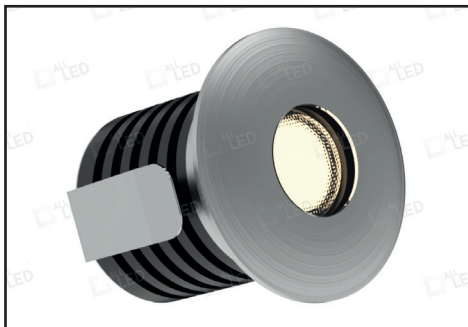
PRODUCT FEATURES

- IP65, Suitable For Use In Bathrooms
- 1W LED
- Diamond Cut Lens
- Cree Diode Inside
- Polar White Paintable Finish
- Flush Toughened Glass
- Dimmable With Dimmable LED Driver*
- 350mA (Series Wiring)
- Driveover Rated At 2 Metric Tonnes When Used In 32mm Mounting Sleeve (AGL/MS032)*
- 1 Metre Pre-Wired Cable



TECHNICAL SPECIFICATIONS

PRODUCT CODE	AMKR032**/30	AMKR032**/40	AMKR032**/BL
Max Power Output	1W	1W	1W
Lumens	≤85lm	≤95lm	≤40lm
CCT	3000K	4000K	Blue
Beam Angle	45°	45°	45°
CRI	>80	>80	>80
Ingress Protection	IP65	IP65	IP65
Lifetime (Hours to Im70)	50,000 Hrs	50,000 Hrs	50,000 Hrs
Operating Current	350mA	350mA	350mA
Operating Temperature	-20°C~+50°C	-20°C~+50°C	-20°C~+50°C



Matte Brushed Aluminium
AMKR032AL



Polar White
AMKR032WH

SERIES WIRING 350mA	WARM WHITE 3000K	COOL WHITE 4000K	BLUE	DESIGNED IN BRITAIN	IP65	50,000H	SMD LED	CLASS 3	1M PREWIRED CABLE	≤95lm	45°	1W	DIMMABLE WITH DRIVER	3 YEAR GUARANTEE
-------------------------------	----------------------------	----------------------------	-------------	----------------------------	-------------	----------------	----------------	----------------	--------------------------	--------------	------------	-----------	-----------------------------	-------------------------

*Sold Separately